

# Liquid Tight Strain Relief Fittings – 90° Snap Elbow

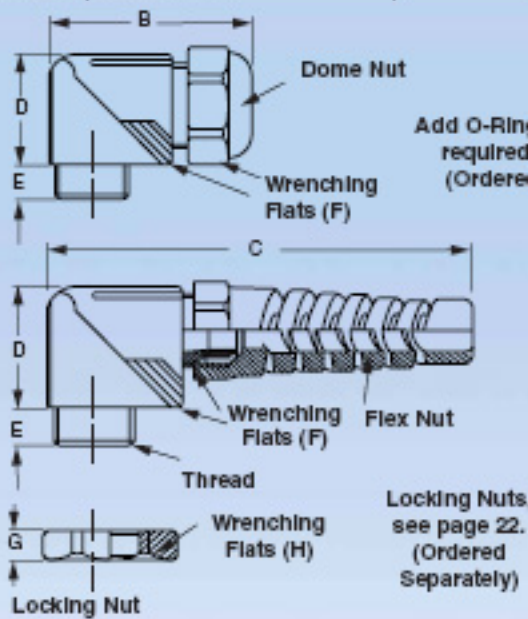
## PG/NPT Threads – Nylon



UL/CSA  
CAGE  
PATENT  
E103997  
074032  
ZERO UE11  
4145075

PART NUMBERS				CABLE RANGE	THREAD TYPE AND SIZE For thread specs see page 29	DIMENSIONS INCHES (MM)					
Dome Elbow Fittings		Flex Elbow Fittings				A Clearance Hole +.11" +.25mm 0 0"	B Body Length Dome	C Body Length Flex	D Height	E Thread Length	F Wrenching Flats
Black	Gray	Black	Gray	inches (mm)							
ED09AA-BK	ED09AA-GY	EF09AA-BK	EF09AA-GY	.16 - .31 (4 - 8)	PG 9	.60 (15.2)	1.77 (45)	3.35 (85)	.91 (23)	.31 (8)	.75 (19)
ED09AR-BK	ED09AR-GY	EF09AR-BK	EF09AR-GY	.08 - .24 (2 - 6)							
ED09NA-BK	ED09NA-GY	EF09NA-BK	EF09NA-GY	.16 - .31 (4 - 8)	3/8" NPT	.68 (17.2)	1.77 (45)	3.35 (85)	.91 (23)	.59 (15)	.75 (19)
ED09NR-BK	ED09NR-GY	EF09NR-BK	EF09NR-GY	.08 - .24 (2 - 6)							
ED11AA-BK	ED11AA-GY	EF11AA-BK	EF11AA-GY	.20 - .39 (5 - 10)	PG 11	.73 (18.5)	1.97 (50)	4.05 (103)	1.06 (27)	.31 (8)	.87 (22)
ED11AR-BK	ED11AR-GY	EF11AR-BK	EF11AR-GY	.11 - .27 (3 - 7)							
ED13AA-BK	ED13AA-GY	EF13AA-BK	EF13AA-GY	.24 - .47 (6 - 12)	PG 13.5	.80 (20.3)	2.24 (57)	4.69 (119)	1.20 (30.5)	.35 (9)	.94 (24)
ED13AR-BK	ED13AR-GY	EF13AR-BK	EF13AR-GY	.20 - .35 (5 - 9)							
ED13NA-BK	ED13NA-GY	EF13NA-BK	EF13NA-GY	.24 - .47 (6 - 12)	1/2" NPT	.83 (21.1)	2.24 (57)	4.69 (119)	1.20 (30.5)	.51 (13)	.94 (24)
ED13NR-BK	ED13NR-GY	EF13NR-BK	EF13NR-GY	.20 - .35 (5 - 9)							
ED16NA-BK	ED16NA-GY	EF16NA-BK	EF16NA-GY	.39 - .55 (10 - 14)	1/2" NPT	.83 (21.1)	2.32 (59)	5.12 (130)	1.24 (31)	.51 (13)	1.06 (27)
ED16NR-BK	ED16NR-GY	EF16NR-BK	EF16NR-GY	.27 - .47 (7 - 12)							
ED16AA-BK	ED16AA-GY	EF16AA-BK	EF16AA-GY	.39 - .55 (10 - 14)	PG 16	.88 (22.3)	2.32 (59)	5.12 (130)	1.28 (32)	.39 (10)	1.06 (27)
ED16AR-BK	ED16AR-GY	EF16AR-BK	EF16AR-GY	.27 - .47 (7 - 12)							
ED21AA-BK	ED21AA-GY	EF21AA-BK	EF21AA-GY	.51 - .71 (13 - 18)	PG 21	1.12 (28.4)	2.87 (73)	6.14 (156)	1.57 (40)	.43 (11)	1.30 (33)
ED21AR-BK	ED21AR-GY	EF21AR-BK	EF21AR-GY	.35 - .63 (9 - 16)							
ED21NA-BK	ED21NA-GY	EF21NA-BK	EF21NA-GY	.51 - .71 (13 - 18)	3/4" NPT	1.05 (26.7)	2.87 (73)	6.14 (156)	1.57 (40)	.51 (13)	1.30 (33)
ED21NR-BK	ED21NR-GY	EF21NR-BK	EF21NR-GY	.35 - .63 (9 - 16)							
ED29AA-BK	ED29AA-GY			.71 - .98 (18 - 25)	PG 29	1.47 (37.3)	3.58 (91)	--	2.03 (51.5)	.43 (11)	1.65 (42)
ED29AR-BK	ED29AR-GY			.51 - .79 (13 - 20)							
ED29NA-BK	ED29NA-GY			.71 - .98 (18 - 25)	1" NPT	1.35 (34.3)	3.58 (91)	--	1.97 (50)	.75 (19)	1.65 (42)
ED29NR-BK	ED29NR-GY			.51 - .79 (13 - 20)							

Installs in either clearance or threaded holes



Add O-Ring or Seal Ring if required, see Page 25 (Ordered Separately)

Locking Nuts, see page 22. (Ordered Separately)



For Product Specifications see page 6.

- Insert Cable
- Snap Together
- Tighten Dome or Flex Nut
- Finished!

Suggested Clearance Hole for Non-Threaded Mounting

# Liquid Tight Strain Relief Fittings – 90° Snap Elbow

## Metric Threads – Nylon



UL/CSA  
CAGE  
PATENT  
E103997  
074032  
ZERO UE11  
4145075

PART NUMBERS				CABLE RANGE	THREAD TYPE AND SIZE For thread specs see page 29	DIMENSIONS INCHES (MM)					
Dome Elbow Fittings		Flex Elbow Fittings				A Clearance Hole +.010" +.25mm 0 0"	B Body Length Dome	C Body Length Flex	D Height	E Thread Length	F Wrenching Flats
Black	Gray	Black	Gray	inches (mm)							
ED16MA-BK	ED16MA-GY	EF16MA-BK	EF16MA-GY	.16 - .31 (4 - 8)	M16 x 1,5	.63 (16)	1.77 (45)	3.35 (85)	.91 (23)	.31 (8)	.75 (19)
ED16MR-BK	ED16MR-GY	EF16MR-BK	EF16MR-GY	.08 - .24 (2 - 6)							
ED20MA-BK	ED20MA-GY	EF20MA-BK	EF20MA-GY	.24 - .47 (6 - 12)	M20 x 1,5	.79 (20)	2.24 (57)	4.68 (119)	1.20 (30.5)	.35 (9)	.94 (24)
ED20MR-BK	ED20MR-GY	EF20MR-BK	EF20MR-GY	.20 - .35 (5 - 9)							
ED25MA-BK	ED25MA-GY	EF25MA-BK	EF25MA-GY	.51 - .71 (13 - 18)	M25 x 1,5	.98 (25)	2.87 (73)	6.14 (156)	1.57 (40)	.43 (11)	1.30 (33)
ED25MR-BK	ED25MR-GY	EF25MR-BK	EF25MR-GY	.35 - .63 (9 - 16)							
ED32MA-BK	ED32MA-GY			.71 - .98 (18 - 25)	M32 x 1,5	1.26 (32)	3.58 (91)	--	2.03 (51)	.43 (11)	1.65 (42)
ED32MR-BK	ED32MR-GY			.51 - .79 (13 - 20)							